

# PART III: EXHIBITS

State Timber Sale Contract  
No. 341-15-83  
Bling Ridge

EXHIBIT B

Page 1 of 3  
629-Form 341-203  
Revised 06/97

## OREGON DEPARTMENT OF FORESTRY

### TIMBER SALE OPERATIONS PLAN

(See Page 2 for instructions)

Date Received by STATE: \_\_\_\_\_

(5) State Brand Information (complete):



(1) Contract No.: 341-15-83

(2) Sale Name: Bling Ridge

(3) Contract Expiration Date: October 31, 2018

Project Completion Dates: \_\_\_\_\_

(4) Purchaser: \_\_\_\_\_

\_\_\_\_\_

(6) Purchaser Representatives:

Projects: _____	Phone: _____	Cell/Other Phone: _____	Home: _____
Projects: _____	Phone: _____	Cell/Other Phone: _____	Home: _____
Projects: _____	Phone: _____	Cell/Other Phone: _____	Home: _____
Projects: _____	Phone: _____	Cell/Other Phone: _____	Home: _____
Logging: _____	Phone: _____	Cell/Other Phone: _____	Home: _____
Logging: _____	Phone: _____	Cell/Other Phone: _____	Home: _____
Logging: _____	Phone: _____	Cell/Other Phone: _____	Home: _____
Road Maintenance: _____	Phone: _____	Cell/Other Phone: _____	Home: _____

(7) State Representatives:

Projects: _____	Phone: _____	Cell/Other Phone: _____	Home: _____
Logging: _____	Phone: _____	Cell/Other Phone: _____	Home: _____

(8) Name of Subcontractors & Starting Dates:

Projects: No(s) _____ - _____	Date: _____	Phone: _____
No(s) _____ - _____	Date: _____	Phone: _____
No(s) _____ - _____	Date: _____	Phone: _____
No(s) _____ - _____	Date: _____	Phone: _____
Logging: Felling _____	Date: _____	Phone: _____
Yarding: _____	Date: _____	Phone: _____

(9) Comments: \_\_\_\_\_  
\_\_\_\_\_  
\_\_\_\_\_  
\_\_\_\_\_  
\_\_\_\_\_

(10) Operations Map: Attach a copy of timber sale Exhibit A or other suitable map which plainly shows the items listed on the instruction sheet.

EXHIBIT B  
INSTRUCTION SHEET FOR OPERATIONS PLAN

**SUBMIT ONE COPY OF PLAN TO STATE**

Operations shall be limited to the work shown in the plan until a revised plan or supplemental plan is submitted covering additional work. Compliance with this plan is not in lieu of compliance with any federal requirements related to the federal Endangered Species Act. If STATE has prepared a required Forest Practices Act (FPA) "Written Plan" for operations, PURCHASER shall comply with all provisions of the Written Plan.

**Explanation of Item No. (from Page 1)**

- (5) All sales require you to use a brand furnished by STATE. If the State brand has not been assigned when the plan is submitted, it will be furnished and assigned later. Complete drawing. If more than one brand is assigned to the sale, complete both drawings.
- (6) The contract requires you to have a designated representative available on the sale area or work location who is authorized to receive in your behalf any notice or instruction given by STATE and to take action in regard to performance under the contract. If logging and project work is widely separated, a representative is required for each.
- (7) The STATE representative will be designated when your plan is approved and is the person who will inspect and issue instructions regarding performance.
- (8) Show names of subcontractors to be used for any or all phases of the operations. If subcontractors are not known, or are changed later, give notification to the STATE representative prior to commencement of work by subcontractor.

Show projected dates for commencement of both projects and logging. If projected dates need to be changed at a later date, notification must be given to the STATE representative by supplemental plan or otherwise, prior to commencement of such operations.

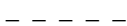
- (10) The STATE representative will furnish extra copies of Exhibit A of the contract for your use in preparing the operations map. The map shall use the following legend and show:
  1. Landing locations, approximate setting boundaries, and probable sequence of logging the settings. Number the settings in sequence.
  2. Locations of spur roads planned for construction, other than those required by the timber sale contract. Provide spur road specifications.
  3. Location of proposed tractor yarding roads. Show if and how marked on the ground.
  4. Location of temporary stream crossings.
  5. List the sequence of performing project work.
  6. Location of rock sources - attach quarry development plans.



Cable Landing, with numbers for sequence.



Tractor Landing with alphabetical sequence.



Approximate setting boundary.



Spur truck roads.



Tractor yarding roads.



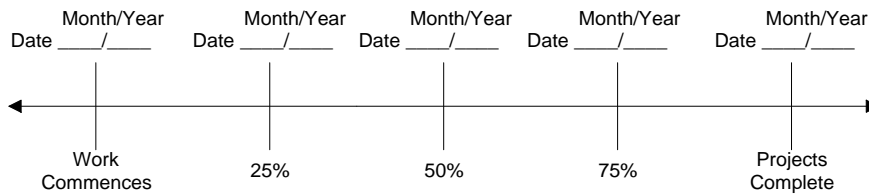
Temporary stream crossings.

EXHIBIT B  
OPERATIONS PLAN

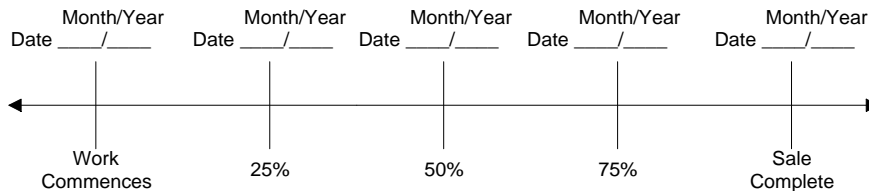
**Completion Timeline**

Indicate on the appropriate timeline below, the dates by which you plan to complete the work as required under this contract. The purpose of this section is to develop a plan that will ensure you complete the work as required, and meet the interim completion date(s) and contract expiration date. This plan is incorporated and made a part of the contract. When, in the opinion of STATE, operations are not commencing in a manner that meets the intent of this plan, you may be placed in violation of contract and your operations suspended until an amended plan is submitted and approved by STATE.

**Projects**



**Harvest & Other Requirements**



**The Federal Endangered Species Act (ESA) prohibits a person from taking any federally listed threatened or endangered species. Taking under the federal ESA may include alteration of habitat. STATE's approval of this plan does not certify that PURCHASER's operation under the plan is lawful under the federal ESA. As provided in the timber sale contract, PURCHASERS must comply with all applicable state, federal, and local laws.**

**PURCHASER's compliance with this plan is not in lieu of compliance with any federal requirements related to the federal Endangered Species Act.**

APPROVED: Date: \_\_\_\_\_

SUBMITTED BY:  
PURCHASER

STATE OF OREGON - DEPARTMENT OF FORESTRY

\_\_\_\_\_  
Title \_\_\_\_\_

\_\_\_\_\_  
Title \_\_\_\_\_

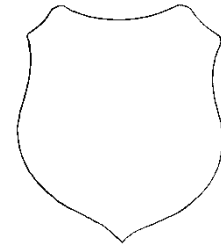
Original: Salem  
cc: District File  
Purchaser

**EXHIBIT C – SAWMILL GRADE (WESTSIDE SCALE)**

**SCALING INSTRUCTIONS -- LOCATION APPROVAL -- BRAND INFORMATION**

- (1) ORIGINAL REGISTRATION  Date \_\_\_\_\_  
 REVISION NUMBER \_\_\_\_\_  Date \_\_\_\_\_  
 CANCELLATION  Date \_\_\_\_\_
- (2) TO: \_\_\_\_\_  
 (Third Party Scaling Organization)
- (3) FROM: Tillamook (06) Phone (503) 842-2545  
 (State Forestry District)  
 Address 5005 3<sup>rd</sup> St., Tillamook, OR 97141
- (4) PURCHASER: \_\_\_\_\_  
 Mailing Address: \_\_\_\_\_  
 Phone Number: \_\_\_\_\_

- (9) SALE NAME: Bling Ridge  
 COUNTY: Tillamook
- (10) STATE CONTRACT NUMBER: 341-15-83
- (11) STATE BRAND REGISTRATION NUMBER: \_\_\_\_\_
- (12) STATE BRAND INFORMATION (COMPLETE):



(5) MINIMUM SCALING SPECIFICATIONS	
SPECIES	MINIMUM NET VOLUME
Conifers	10
Hardwoods	10

\* Apply minimum volume test to whole logs over 40' Westside

- (13) PAINT REQUIRED: YES   
 COLOR: Orange

- (6) WESTSIDE SCALE: YES  NO   
 Use Region 6 actual taper rule. Logs over 40'.
- (7) Weight Scale Sample

(14) SPECIAL REQUESTS (Check applicable)	
PEELABLE CULL (all species) .....	<input type="checkbox"/>
<b>NO DEDUCTIONS ALLOWED FOR MECHANICAL DAMAGE</b> .....	<input checked="" type="checkbox"/>
ADD-BACK VOLUME - Deductions due to delay .....	<input checked="" type="checkbox"/>
OTHER: _____	

(8) APPROVED SCALING LOCATIONS <small>(as shown on the ODF Approved Locations web-site)</small>	Species	Yard	Truck	Weight

- (15) REMARKS \_\_\_\_\_  
 \_\_\_\_\_  
 \_\_\_\_\_  
 \_\_\_\_\_

Operator's Name (Optional inclusion by District): \_\_\_\_\_

- (16) SIGNATURES:
- \_\_\_\_\_  
 Purchaser or Authorized Representative Date
- \_\_\_\_\_  
 State Forester Representative Date
- \_\_\_\_\_  
 State Forester Representative PRINT NAME

**Notify the District within one hour when branding or painting is inadequate for quick identification, the receipts are missing, not correctly or completely filled out, and/or when logs presented for scaling are impossible to scale accurately.**

Distribution (See specific instructions on pg. 2): ORIGINAL: Salem / COPIES: TPSO, Approved Scaling Location, Purchaser, District, Mgmt. Unit

**EXHIBIT C – SAWMILL GRADE**  
INSTRUCTIONS FOR FORM 343-307a (rev. 11/11)

- (1) Check appropriate box. REVISION NUMBER requires comments. CANCELLATION requires logging and hauling to be complete, recall branding hammers, date and sign where indicated, write diagonally across page "CANCEL", and send to TPSO.
- (2) Designate Third Party Scaling Organization (TPSO).

Columbia River Log Scaling & Grading Bureau  
P.O. Box 7002, Eugene, OR 97401  
Phone: (541) 342-6007 Fax: (541) 342-2631  
Email: [services@crsls.com](mailto:services@crsls.com)

Pacific Rim Log Scaling Bureau, Inc.  
8288 28<sup>th</sup> Court North East, Lacey, WA 98516  
Phone: (360) 528-8710 Fax: (360) 528-8718  
Email: [office@prlsb.com](mailto:office@prlsb.com)

Mountain Western Log Scaling & Grading Bureau  
P.O. Box 580, Roseburg, OR 97470  
Phone: (541) 673-5571 Fax: (541) 672-6381  
Email: [info@solsqb.com](mailto:info@solsqb.com)

Yamhill Log Scaling & Grading Bureau  
P.O. Box 709, Forest Grove, OR 97116  
Phone: (503) 359-4474 Fax: (503) 359-4476  
Email: [yamhill@attglobal.net](mailto:yamhill@attglobal.net)

Northwest Log Scalars, Inc  
5526 NE 122<sup>nd</sup> Ave, Portland, OR 97230  
Phone: (503) 254-0600 Fax: (503) 408-0919  
Email: [info@nwlogscalars.com](mailto:info@nwlogscalars.com)

Pacific Log Scaling & Grading Bureau, Inc.  
P.O. Box 23939, Portland, OR 97281  
Phone: (503) 684-5599 Fax: (503) 639-4880  
Email: [PacLogScale@aol.com](mailto:PacLogScale@aol.com)

- (3) State District office, address and phone.
- (4) Enter Purchaser's business name, address, and phone number as it appears on the Contract.
- (5) Minimum Scaling Specifications.
- (6) Westside – Region 6 actual taper segment scale. Check Yes or No. Special Service Rules on file with TPSO. See: Segment Scaling and Grading of Long Logs -- All Species -- State Forestry Department Scaling Practices (Westside).
- (7) Weight Scale Sample – Check box if sale is to be a Weight Scale Sample. All specifics for handling, scaling and processing will be attached or explained in the Remarks section Item (15).
- (8) Show scaling locations only applicable to TPSO. Location name should appear as it does on the ODF Approved Scaling Location web site: [http://www.odf.state.or.us/DIVISIONS/management/asset\\_management/ScalingLocation.asp](http://www.odf.state.or.us/DIVISIONS/management/asset_management/ScalingLocation.asp) Locations with scaling and processing directions specific to their location should be on a separate form. Species should be identified if not capable of receiving "all" species. Check appropriate box for either: yard, truck scale, or weight. Refer to the web site listed above for the locations approval status.
- (9) Enter sale name and county.
- (10) Enter sale Contract number.
- (11) Enter Oregon's State Brand Registry Number **(REQUIRED)**.
- (12) Show brand assigned to timber sale. One brand only. If more than one brand is assigned to the sale: (1) make a separate form for each brand and (2) on each form, explain and show other brand(s) in the Remarks section Item (15).
- (13) Check yes for Paint Required and designate "Orange" for color. Non required removal volumes may sometimes require blue paint.
- (14) Special Requests. These are requests that will be applied to ODF timber sales. All boxes applicable to the timber sales designated in the Exhibit C form must be "marked". If "Other" is indicated, it must contain a description and any necessary comments.
- (15) Use this space to designate any weight conversion factors, per load volumes, weight scale sample instructions or any other explanations to clarify scaling, processing and/or mailing requirements. If additional scaling locations are approved, revise original or current form showing all (old and new) locations. Check REVISION box at top of form and explain under remarks. Route as indicated.
- (16) Require purchaser to sign and date completed form in addition to State Forester Representative, sign and print name on the form.

**Salem Distribution Instructions:** Original will be mailed to Salem after it is electronically scanned and placed in the Salem transfer drive <\\WPODFILL01\Transfer\ScalingInstructions> or e-mailed directly to [scaling@odf.state.or.us](mailto:scaling@odf.state.or.us). Scaling instructions for each brand should be scanned separately, for each approved TPSO.

### EXHIBIT C – PULP SORT

#### PROCESSING INSTRUCTIONS -- LOCATION APPROVAL -- BRAND INFORMATION

(1) ORIGINAL REGISTRATION  Date \_\_\_\_\_  
REVISION NUMBER \_\_\_\_\_  Date \_\_\_\_\_  
CANCELLATION  Date \_\_\_\_\_

(2) TO: \_\_\_\_\_  
(Approved Pulp Processing Facility)

(3) FROM: Tillamook (06) Phone (503) 842-2545  
(State Forestry District)  
Address 5005 3<sup>rd</sup> St., Tillamook, OR 97141

(4) PURCHASER: \_\_\_\_\_

(5) Scaling Bureau (TPSO) Processing Weight receipts:

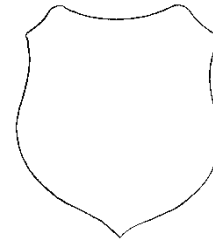
\_\_\_\_\_  
Mailing Address: \_\_\_\_\_  
Phone Number: \_\_\_\_\_

(9) SALE NAME: Bling Ridge  
COUNTY: Tillamook

(10) STATE CONTRACT NUMBER: 341-15-83

(11) STATE BRAND REGISTRATION NUMBER \_\_\_\_\_

(12) STATE BRAND INFORMATION: (COMPLETE BELOW)



(6) **STATE Definition of Approved Pulp Sort:**

- Top portion of the tree (tops).
- All logs with a diameter (Big End) greater than 8 inches marked with blue paint.

(13) REMARKS: \_\_\_\_\_  
\_\_\_\_\_  
\_\_\_\_\_

(7) PULP FACILITY PROCESSING INSTRUCTIONS:

- Pulp loads shall be weighed in lieu of scaling.
- One Ton = 2000 lbs (Short Ton).
- Pulp loads shall have a yellow Log Load Receipt attached.
- Gross weight and truck tare weight for each load shall be machine printed on the weight receipt.
- Weigher shall sign the weight receipt.
- Weigher shall record the Log Load Receipt number on the weight receipt.
- Weigher shall attach the Weight receipt to the Log Load Receipt and mail them weekly to the TPSO processing the Weight receipt.

Operator's Name (Optional inclusion by District):  
\_\_\_\_\_

(8) TPSO PROCESSING INSTRUCTIONS

- Mail to ODF weekly.
- Convert to mbf using 10 tons per mbf.

(14) SIGNATURES:

_____	_____
Purchaser or Authorized Representative	Date
_____	_____
State Forester Representative	Date
_____	_____
State Forester Representative PRINT NAME	

**Notify the District within one hour when branding is inadequate for quick identification, the logs are marked with orange paint, the receipts are missing, not correctly or completely filled out, and/or logs do not meet the specifications of the STATE definition of Approved Pulp Sort.**

**Distribution: ORIGINAL: Salem / COPIES: TPSO, Approved Pulp Processing Location, Purchaser, District, Mgmt. Unit**

**EXHIBIT C – PULP SORT**  
INSTRUCTIONS FOR FORM 343-307b (rev. 11/11)

- (1) **Must Complete.** Check appropriate box. REVISION NUMBER requires comments in the Remarks Section (13). CANCELLATION requires logging and hauling to be complete, recall branding hammers, date and sign where indicated, write diagonally across page "CANCEL", and send to TPSO.
- (2) **Must Complete.** Approved Pulp Processing Facility. Write in as written in the Approved Log Delivery Location [http://www.odf.state.or.us/DIVISIONS/management/asset\\_management/ScalingLocation.asp](http://www.odf.state.or.us/DIVISIONS/management/asset_management/ScalingLocation.asp)
- (3) **Must Complete.** State Forestry District and District Phone Number.
- (4) **Must Complete.** Purchaser's business name as it appears on the Contract.
- (5) **Must Complete.** Third Party Scaling Organization that will be processing the weight tickets, mailing address, and phone number.

Columbia River Log Scaling & Grading Bureau  
P.O. Box 7002, Eugene, OR 97401  
Phone: (541) 342-6007 Fax: (541) 342-2631  
Email: [services@crls.com](mailto:services@crls.com)

Pacific Rim Log Scaling Bureau, Inc.  
8288 28<sup>th</sup> Court North East, Lacey, WA 98516  
Phone: (360) 528-8710 Fax: (360) 528-8718  
Email: [office@prlsb.com](mailto:office@prlsb.com)

Mountain Western Log Scaling & Grading Bureau  
P.O. Box 580, Roseburg, OR 97470  
Phone: (541) 673-5571 Fax: (541) 672-6381  
Email: [info@solsgb.com](mailto:info@solsgb.com)

Yamhill Log Scaling & Grading Bureau  
P.O. Box 709, Forest Grove, OR 97116  
Phone: (503) 359-4474 Fax: (503) 359-4476  
Email: [yamhill@attglobal.net](mailto:yamhill@attglobal.net)

Northwest Log Scalars, Inc.  
5526 NE 122<sup>nd</sup> Ave, Portland, OR 97230  
Phone: (503) 254-0600 Fax: (503) 408-0919  
Email: [info@nwlogscalars.com](mailto:info@nwlogscalars.com)

Pacific Log Scaling & Grading Bureau, Inc.  
P.O. Box 23939, Portland, OR 97281  
Phone: (503) 684-5599 Fax: (503) 639-4880  
Email: [PacLogScale@aol.com](mailto:PacLogScale@aol.com)

- (6) **Must Complete.** Big end log not to exceed \_\_\_\_\_ inches. Big end of log is not to exceed 2 inches greater than the minimum removal specifications in the contract. Example: Minimum removal specifications 6 inches and 20 board feet, then the Big end of log not to exceed 8 inches. When conifer and hardwood removal specifications are different, use the smaller removal diameter to determine this specification.
- (9) **Must Complete.** Enter sale name and county. If more than one county write in all the counties that the sale is located in.
- (10) **Must Complete.** Enter sale Contract number.
- (11) **Must Complete.** Enter Oregon's State Brand Registry Number **(REQUIRED)**.
- (12) **Must Complete.** Show brand assigned to timber sale. One brand only. If more than one brand is assigned to the sale: (1) make a separate form for each brand and (2) on each form, explain and show other brand(s) in the Remarks section Item (13).
- (13) Use this section to list any special instructions or the reason for any revisions in section item (1).
- (14) **Must Complete.** Purchaser required to sign and date completed form in addition to State Forester Representative, sign and print name on the form.

**Salem Distribution Instructions:** Original will be mailed to Salem after it is electronically scanned and placed in the Salem transfer drive \\WPODFILL01\Transfer\ScalingInstructions or e-mailed directly to [scaling@odf.state.or.us](mailto:scaling@odf.state.or.us) . Scaling instructions for each brand should be scanned separately, for each approved TPSO.

EXHIBIT D  
 FOREST ROAD SPECIFICATIONS

POINT TO POINT	STATION TO STATION	SUBGRADE WIDTH (feet)	SURFACE WIDTH (feet)	DRAINAGE
A to B	0+00 to 1+00	--	24	Ditch
A to B	1+00 to 14+00	--	22	Ditch
A to B	14+00 to 119+30	--	16	Ditch
C to D	0+00 to 189+80	--	14	Ditch
C to D	189+80 to 262+40	16	12	Existing
E to F	0+00 to 105+80	16	12	Existing
G to H	0+00 to 21+40	16	12	Existing
I to J	0+00 to 32+00	16	12	Outslope
K to L	0+00 to 48+00	16	12	Existing
M to N	0+00 to 162+00	--	16	Existing
M to N	162+00 to 206+00	--	14	Existing
O to P	0+00 to 40+70	16	12	Existing
Q to R	0+00 to 15+50	16	12	Existing

**CLEARING.** This work shall consist of clearing, removing, and disposing of all trees, snags, down timber, brush, surface objects, and protruding obstructions within the clearing limits. Trees outside the clearing limits shall not be felled unless approved in writing by STATE. All danger trees, leaners, and snags outside the clearing limits which could fall and hit the road shall be felled. Where clearing limits have not been marked, clearing limits shall be as follows:

- New construction – 10 feet back from the top of the cut slope and 5 feet back from the toe of fill slopes.
- Improvements and reconstructions - 10 feet back from the shoulder of the subgrade or the ditch, whichever is widest.

**GRUBBING.** This work shall consist of the removal or digging out of stumps and protruding objects. All stumps shall be completely removed within the limits of required grubbing. Stumps overhanging cutslopes shall be removed. Grubbing limits shall be as follows:

- New construction - From the top of the cutslope to the toe of the fill.
- Improvements and reconstructions - 4 feet back from the shoulder of the subgrade or the ditch, whichever is widest.



EXHIBIT D

FOREST ROAD SPECIFICATIONS

CLEARING AND GRUBBING DISPOSAL. Clearing and grubbing debris shall not be placed or permitted to remain in or under any road embankment sections. Clearing and grubbing debris shall not be left lodged against standing trees. Clearing and grubbing debris may be scattered through openings in the timber outside of the cleared right-of-way, except for the following areas where debris shall be fully contained and hauled to a designated waste area:

- Where end-haul is required.
- On side slopes exceeding 55 percent.
- On unstable areas.
- In any stream channel (Type F, N or D) or where material may enter the stream channel.

Clearing, grubbing, and associated disposal shall be completed prior to subgrade approval.

EXHIBIT D  
FOREST ROAD SPECIFICATIONS

EXCAVATION. Excavation and grading shall not be done when weather and/or ground conditions are such that damage will result to existing subgrade or cause excessive erosion.

Excavation shall conform to STATE-specified lines, grades, dimensions, and plans when provided.

Suitable excavated material shall be used for the formation of fills, shoulders, and drainage structure backfills. Embankment materials shall be free of woody debris, brush, muck, sod, frozen material, and other deleterious materials. All fills and drainage structure backfills shall be machine compacted according to the "Compaction and Processing Requirements" in Exhibit E.

Unless road plans show otherwise, all roads shall be on a balanced cross section, except when the slope is over 55 percent, the road shall be on full bench for the width specified.

Sidecast includes any road generated excess excavation material which is not essential as part of the road prism, is not compacted, and is below the roadway. Sidecast shall not be placed where it will enter a stream course or where material will accumulate in areas deemed a high landslide hazard location by STATE. Leaving sidecast below the road is only permissible if specifically allowed in "Full Bench and End Haul Requirements" in this Exhibit.

All bank excavation and sidecast pullback on a project road segment shall be completed prior to subgrade approval.

ROAD WIDTH LIMITATIONS. PURCHASER shall obtain advance written approval from STATE to construct the road to a greater width than specified. Extra subgrade width shall be required for:

Fill Widening. Add to each fill shoulder 1 foot for fills 3 feet to 6 feet high; 2 feet for fills over 6 feet high.

Curve Widening. Widen the inside shoulder of all curves as specified in the road plans or as follows: 400 divided by the radius of the curve equals the amount of extra width.

DRAINAGE

Ditch. Construct ditch as specified in Exhibit D. Subgrade shall be crowned at 4 to 6 percent. Construct ditchouts away from subgrade at locations marked in the field or as directed by STATE. Ditch shall be a "V" configuration, 3 feet wide at the top by 1 foot deep.

Outslope. Road subgrade shall be outsloped at 4 to 6 percent.

Existing. Road subgrade and drainage shall be maintained in its current configuration, outsloped where outsloped, insloped where insloped, and ditched where ditched.

TURNOUTS. Increase roadbed width an additional 8 feet for both subgrade and surfacing. Length shall be at least 25 feet, or as staked on the ground, plus 25-foot approaches at each end.

Location: Intervisible but not greater than 750 feet apart.

SLOPES

Rock  
Common

Back Slopes  
Vertical to 1/4 :1  
3/4 :1

Fill Slopes  
Not Steeper  
Than 1 1/2: 1

Top of cutslopes shall be rounded.

LANDINGS. Landings shall be constructed as posted in the field, no less than 50 feet wide and no more than 70 feet wide, unless otherwise approved by STATE. Surface is to be crowned for drainage with general grade no more than 4 percent and no less than 2 percent. All cuts shall be ditched. Surface the landing as shown in the "Road Surfacing" table in Exhibit E.

TURNAROUNDS. Increase subgrade width an additional 30 feet for a length of 16 feet with 20' radius returns at locations marked in the field.

SEASONAL WINTERIZATION. All unsurfaced roads or unfinished subgrades shall be waterbarred in accordance with the specifications in Exhibit I, and blocked from vehicular traffic prior to October 31, annually and as directed by STATE.

EXHIBIT D

FOREST ROAD SPECIFICATIONS

ADDITIONAL ROAD INSTRUCTIONS

**A to B** Replace 10 destroyed or missing culvert markers, according to specifications in Exhibit G.

At station 87+60, reshape edge of pullout and construct settlement swale to direct road runoff away from stream channel, as directed by STATE.

**C to D** Replace 15 destroyed or missing culvert markers along Diamond Mill Road (0+00 to 189+80), according to specifications in Exhibit G.

At station 3+00, construct ditch and settlement swale at new culvert outlet to direct runoff away from stream channel and North Fork Road, as directed by STATE.

Clean existing ditch along Diamond Mill Road, where it does not meet the standard specifications in this Exhibit. Endhaul material to designated waste area, spread and compact.

From station 31+40 to 38+10, clean existing ditch to meet a larger specification as follows: 8 feet wide at top by 3 feet deep. Endhaul material to designated waste area, spread and compact.

From station 163+00 to 164+50, excavate cutbank to widen corner an additional 8 feet, transitioning smoothly above and below. Haul material to designated waste area, spread and compact. Surface with crushed rock, according to specifications in Exhibit E.

From station 167+00 to 168+00, excavate cutbank to widen corner an additional 6 feet, transitioning smoothly above and below. Haul material to designated waste area, spread and compact. Surface with crushed rock, according to specifications in Exhibit E.

Excavate and reconstruct subgrade at station 246+70. Remove any woody material encountered and place in a stable location, perpendicular to the slope. Compact according to specifications in Exhibit E.

Pullback sidecast from station 248+85 to 249+85 and 252+90 to 253+90, widen into cutbank to restore full subgrade width. Endhaul material to designated waste area, spread and compact.

**E to F** Excavate cutbank to widen roadway and restore ditch from station 4+90 to 5+60, 35+90 to 38+30, and 39+10 to 40+00. Endhaul material to designated waste area, spread and compact.

**I to J** Maximum finished grades for this segment shall be as follows:

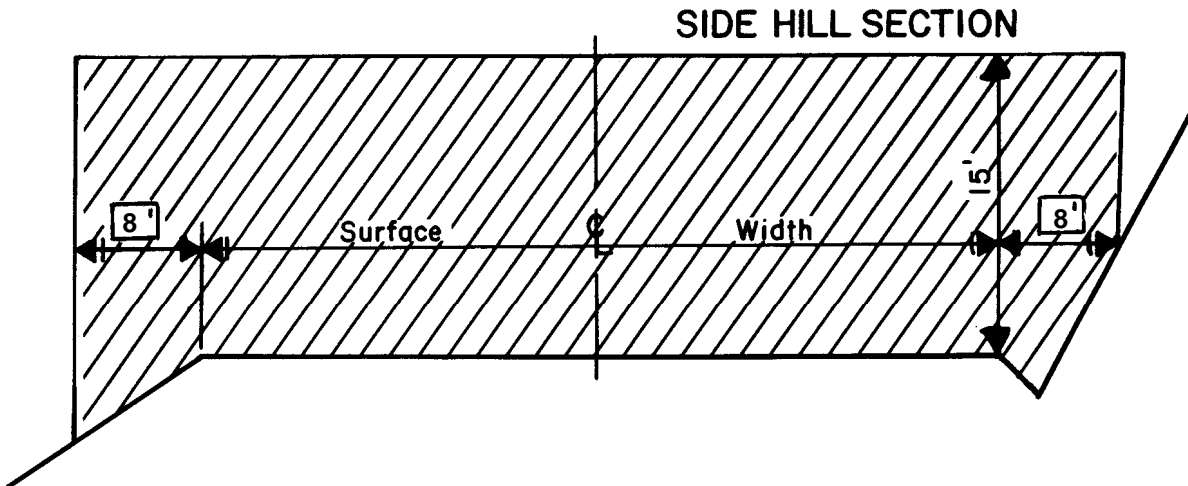
From Station	To Station	Grade %
0+00	9+00	-4
9+00	12+00	-8
12+00	30+80	-18
30+80	31+40	-14
31+40	32+00	-6

**O to P** Reconstruct 12 large waterbars from 0+00 to 40+10, after fill removal, as directed by STATE.

EXHIBIT D  
ROAD BRUSHING SPECIFICATIONS



Clearing Limits



REQUIREMENTS

Unless otherwise approved in writing by STATE, brush and trees less than 8 inches DBH shall be cut to a height of 6 inches or less above the ground surface or obstructions such as rocks or existing stumps. Trees 8 inches or larger in diameter at stump height shall not be felled but shall be limbed for road visibility. Brushing on project road segments shall be completed prior to subgrade approval. Trees shall not be felled unless a portion of the bole is within the clearing limits.

When spur roads to be brushed end with a Landing, the Landing is to be brushed as directed by STATE.

Debris resulting from the brushing operation shall be removed from the roadway, cutslope, ditches, water courses, culvert inlet and outlets, and sediment catch basins within 72 hours and may be scattered downslope from the road or placed in other stable locations, unless otherwise approved by STATE.

Trees outside the clearing limits shall not be felled unless approved in writing by STATE.

CULVERT AND ROAD MARKER DAMAGES. Culvert and road markers damaged, or any portion of a marker damaged from PURCHASER activities shall be repaired or replaced by PURCHASER.

EXHIBIT D

FULL BENCH AND END-HAUL REQUIREMENTS

POINT TO POINT	STA. TO STA.
C to D*	0+00 to 262+40
E to F*	0+00 to 102+80
G to H*	6+00 to 21+40
I to J	10+30 to 31+40
K to L*	0+00 to 48+00
O to P	0+00 to 40+70
Q to R	0+00 to 15+50

\*Material from widening and/or ditching only.

Full Bench and End-Haul Areas General Requirements

Sidecast includes any road generated excess excavation material which is not essential as part of the road prism, is not compacted, and is below the roadway. Material shall not be sidecast unless specified above.

Clearing and grubbing debris shall be end-hauled.

When controlled blasting is required, it shall be accomplished using timing devices, delayed charges, low intensity shots, or other suitable means to contain material within the road prism.

Containment/Sidecast

Full Containment: Sidecast material lost over the outside edge of the road shall not exceed 6 inches in depth, measured perpendicular to the natural ground slope. Pioneer excavation shall be removed by digging, loading, and hauling rather than by pushing or scraping methods.

Tree bases and stumps may have up to 12 inches of material directly above them.

Any amount of material exceeding the containment requirements shall be removed by whatever means necessary and end-hauled to a designated waste area.

Waste Area Location

As shown on Exhibit A and as marked in the field. Setback from slope break shall be a minimum of 20 feet horizontal measurement.

Waste Area Treatment

Deposit at waste area, spread evenly, compact, and provide adequate drainage. Pile woody debris separate from other waste material. Seed all waste areas in accordance with Exhibit N.

EXHIBIT E  
 ROAD SURFACING

ROAD SEGMENT: A to B			STATIONS: 0+00 to 119+30						
Application	Rock Size and Type	Location	Compacted Depth	Volume (CY) per		Number of Units	Curve Widen (CY)	Approx. Total (CY)	
Road Rock	Crushed 3/4"-0"	0+00 to 1+00	3 "	station	30.000	1.00	0	30	
Road Rock	Crushed 1 1/2"-0"	1+00 to 14+00	6 "	station	55.385	13.00	40	760	
Road Rock	Crushed 1 1/2"-0"	14+00 to 119+30	6 "	station	40.361	105.30	200	4,450	
Turnouts	Crushed 1 1/2"-0"	A to B	6 "	TO	20	15		300	
Application	Rock Size and Type	Location	Approx. Total (CY)						
Stockpile	Jaw-Run 3"-0"	Near Pt. B	40						
Stockpile	Riprap 36"-24"	Near Pt. B	10						
Energy Dissipator	Riprap 24"-12"	53+00,62+60,81+90	15						
Shoulder Surfacing	Jaw-Run 3"-0"	114+70	30						
Bedding/Backfill	Crushed 1 1/2"-0"	Each Culvert	120						

ROAD SEGMENT: C to D			STATIONS: 0+00 to 262+40						
Application	Rock Size and Type	Location	Compacted Depth	Volume (CY) per		Number of Units	Curve Widen (CY)	Approx. Total (CY)	
Road Rock	Crushed 1 1/2"-0"	0+00 to 189+80	4 "	station	23.288	189.80	200	4,620	
Road Rock	Jaw-Run 3"-0"	189+80 to 262+40	6 "	station	30.716	72.60	110	2,340	
Turnouts	Crushed 1 1/2"-0"	C to D	4 "	TO	10	26		260	
Turnouts	Jaw-Run 3"-0"	C to D	6 "	TO	20	10		200	
Turnarounds	Jaw-Run 3"-0"	Before Landings	6 "	TA	20	2		40	
Application	Rock Size and Type	Location	Approx. Total (CY)						
Traction (Inc. 2 TOs)	Crushed 1 1/2"-0"	227+20 - 241+20	240						
Landing Rock	Jaw-Run 3"-0"	254+40,262+40	160						
Stockpile	Riprap 36"-24"	222+30	20						
Junction Rock	Crushed 1 1/2"-0"	0+00	20						
Corner Widening	Crushed 1 1/2"-0"	163+75,167+50	50						
Energy Dissipator	Riprap 24"-12"	Each Culvert	50						
Bedding/Backfill	Crushed 1 1/2"-0"	D. Mill Culverts	60						

EXHIBIT E  
 ROAD SURFACING

ROAD SEGMENT:		E to F		STATIONS: 0+00 to 96+50					
Application	Rock Size and Type	Location	Compacted Depth	Volume (CY) per		Number of Units	Curve Widen (CY)	Approx. Total (CY)	
Road Rock	Jaw-Run 3"-0"	43+70 to 96+50	6 "	station	30.871	52.80	80	1,710	
Road Rock	Crushed 1 1/2"-0"	18+70 to 32+40	3 "	station	15.328	13.70	10	220	
Turnouts	Jaw-Run 3"-0"	E to F	6 "	TO	20	8		160	
Turnouts	Crushed 1 1/2"-0"	E to F	3 "	TO	10	2		20	
Turnarounds	Jaw-Run 3"-0"	Before Landing	6 "	TA	20	1		20	
Application	Rock Size and Type	Location	Approx. Total (CY)						
Spot Rock	Crushed 1 1/2"-0"	0+00-43+70	100						
Landing Rock	Jaw-run 3"-0"	96+50	60						
Stockpile	Riprap 36"-24"	71+50	10						
Stockpile	Jaw-Run 3"-0"	71+50	40						

ROAD SEGMENT:		G to H		STATIONS: 0+00 to 1+00					
Application	Rock Size and Type	Location	Compacted Depth	Volume (CY) per		Number of Units	Curve Widen (CY)	Approx. Total (CY)	
Road Rock	Jaw-Run 3"-0"	0+00 to 1+00	9 "	station	50.000	1.00	0	50	
Application	Rock Size and Type	Location	Approx. Total (CY)						
Junction Rock	Jaw-Run 3"-0"	0+00	20						

ROAD SEGMENT:		I to J		STATIONS: 0+00 to 32+00					
Application	Rock Size and Type	Location	Compacted Depth	Volume (CY) per		Number of Units	Curve Widen (CY)	Approx. Total (CY)	
Road Rock	Jaw-Run 3"-0"	0+00 to 32+00	9 "	station	47.500	32.00	70	1,590	
Turnouts	Jaw-Run 3"-0"	I to J	9 "	TO	20	5		100	
Turnarounds	Jaw-Run 3"-0"	Before Landing	9 "	TA	30	1		30	
Application	Rock Size and Type	Location	Approx. Total (CY)						
Landing Rock	Jaw-Run 3"-0"	31+70	80						
Junction Rock	Jaw-Run 3"-0"	0+00	20						

EXHIBIT E  
 ROAD SURFACING

ROAD SEGMENT: K to L			STATIONS: 0+00 to 27+00						
Application	Rock Size and Type	Location	Compacted Depth	Volume (CY) per		Number of Units	Curve Widen (CY)	Approx. Total (CY)	
Road Rock	Jaw-Run 3"-0"	0+00 to 27+00	6 "	station	30.741	27.00	40	870	
Road Rock	Crushed 1 1/2"-0"	7+50 to 17+50	3 "	station	15.000	10.00	10	160	
Turnouts	Jaw-Run 3"-0"	K to L	6 "	TO	20	4		80	
Turnouts	Crushed 1 1/2"-0"	K to L	3 "	TO	10	2		20	
Turnarounds	Jaw-Run 3"-0"	Before Landing	6 "	TA	20	1		20	
Application	Rock Size and Type	Location	Approx. Total (CY)						
Landing Rock	Jaw-run 3"-0"	27+00	80						
Junction Rock	Jaw-run 3"-0"	0+00	20						
Energy Dissipator	Riprap 24"-12"	Each Pipe	30						
Surface Over 4 Pipes	Jaw-run 3"-0"	29+00 - 39+30	120						

ROAD SEGMENT: M to N			STATIONS: 0+00 to 206+00						
Application	Rock Size and Type	Location	Compacted Depth	Volume (CY) per		Number of Units	Curve Widen (CY)	Approx. Total (CY)	
Road Rock	Crushed 1 1/2"-0"	0+00 to 162+00	6 "	station	40.370	162.00	300	6,840	
Road Rock	Crushed 1 1/2"-0"	162+00 to 206+00	6 "	station	30.909	44.00	70	1,430	
Turnouts	Crushed 1 1/2"-0"	M to N	6 "	TO	20	22		440	
Turnouts	Crushed 1 1/2"-0"	M to N	6 "	TO	20	6		120	
Application	Rock Size and Type	Location	Approx. Total (CY)						
Junction Rock	Crushed 1 1/2"-0"	0+00	20						
Energy Dissipator	Riprap 24"-12"	92+50	10						
Bedding/Backfill	Crushed 1 1/2"-0"	92+50	30						

ROAD SEGMENT: O to P			
Application	Rock Size and Type	Location	Approx. Total (CY)
Road Block	Riprap 36"-24"	40+70	10

ROAD SEGMENT: Q to R			
Application	Rock Size and Type	Location	Approx. Total (CY)
Road Block	Riprap 36"-24"	15+50	10



EXHIBIT E  
 ROAD SURFACING

PROJECT POINTS: S & T			
Application	Rock Size and Type	Location	Approx. Total (CY)
Stockpile	Crushed 1 1/2"-0"	Point S	1000
Stockpile	Crushed 1 1/2"-0"	Point T	1000

PROJECT POINT: U			
Application	Rock Size and Type	Location	Approx. Total (CY)
Stockpile	Crushed 3/4"-0"	Point U	1000

TOTAL ROCK	3/4"-0" PURCHASED	1 1/2"-0" JORDAN	1 1/2"-0" MORRIS	3"-0" JAW-RUN	24"-12" RIPRAP	36"-24" RIPRAP
31,355CY	1,030CY	10,880CY	11,400 CY	7,880 CY	105 CY	60 CY

Roads shall be uniformly graded and approved by STATE prior to rocking.

Additional rock for curve widening is required and has been included in the volume estimates.

Turnouts, turnarounds, landings and junctions shall be rocked concurrently with the road.

End-dumping of riprap shall not be allowed, unless otherwise approved in writing by STATE.

Any additional turnarounds or turnouts created during any operation associated with this timber sale shall be rocked at PURCHASER's expense and as instructed by STATE.

For typical cross section, turnout and turnaround see Forestry Department Drawing Nos. 351-C, 351-D and TOTA-1 at the Forestry Department district office.

EXHIBIT E

CRUSHED ROCK SPECIFICATIONS

Materials. The material shall be fragments of rock crushed to the required size. The material shall be free from vegetation and lumps of clay. STATE may require screening and/or rejecting of materials utilized for production of crushed rock for the purpose of removing excess fine material. Excess fines are present, when greater than 5 percent of a total rock sample weight, passes a #200 sieve. Rock crushing shall be limited to periods when weather conditions are acceptable to STATE.

Quality and Grading Requirements. The base material shall be rock. River gravel shall not be used. Crushed rock shall meet the grading requirements that follow;

Hardness - Test Method AASHTO T 96: 30% Maximum

Durability - Test Method ODOT TM 208  
Passing No. 20 Sieve: 30% Maximum

For the purpose of crushing the 1 ½"-0" rock specified under the projects in Section 2610, "Project Work," PURCHASER shall utilize a three-stage rock crusher, or equivalent, unless otherwise approved by STATE.

The rock crusher(s) shall be calibrated to produce rock as specified in this exhibit. Prior to the commencement of production crushing, PURCHASER shall sample, test, and provide rock test results meeting STATE specifications. STATE may then sample and test crushed rock for approval to proceed. PURCHASER shall take one sample of each 2,000 cubic yards of crushed rock material produced thereafter, using approved AASHTO sampling procedures. PURCHASER shall submit samples to a certified laboratory or shall perform testing for gradation requirements using AASHTO T 11 and AASHTO T 27 testing procedures. Prior to testing, each sample shall be split, making one-half of the sample, with proper identification, available for testing by STATE. Each sample and the results of PURCHASER testing shall be made available to STATE within 24 hours of sampling. Any rock crushed prior to STATE approval to proceed shall not be credited to the required rock quantity. Any subsequent rock tests not meeting STATE specifications shall be reason for rejection of that portion of crushed rock produced after that test and shall not be credited to the required rock quantity. STATE may sample the crushed rock at any time during the operation. Results of STATE's tests shall prevail over all other test results.

EXHIBIT E

CRUSHED ROCK SPECIFICATIONS

Sieve size	Percent Passing		
	3 inch	1.5 inch	0.75 inch
3	100	--	--
2	--	100	--
1.5	60-80	95-100	--
1	--	--	100
3/4	--	70-90	90-100
1/4 or #4	10 Max.	40-60	50-75
#10	--	30-50	30-55
#40	--	10-20	8-16
#200	--	0-5	0-5

For 24"-12" Riprap 50% or more of the rock shall be at least 24 inches in one dimension. 100% of the rock shall be at least 12 inches in one dimension.

For 36" – 24" Riprap 50% or more of the rock shall be at least 36 inches in one dimension. 100% of the rock shall be at least 24 inches in one dimension.

The referenced sieve shall have square openings as set forth in AASHTO M 92, Woven Cloth Series. The determinations of size and gradings shall be as set forth in AASHTO T 27.

EXHIBIT E

ROCK ACCOUNTABILITY

PURCHASER shall obtain subgrade approval from STATE prior to rocking. Rocking shall be limited to periods when weather conditions are acceptable to STATE and when sediment will not enter streams. Additional surfacing needed because of construction season or construction practice is not included in the preceding ROAD SURFACING table, and shall be furnished at PURCHASER expense.

Rock accountability shall be determined by depth measurement. STATE shall be given 24 hours' notice prior to rocking.

Depth Measurement. Rock shall be spread and compacted according to the depths specified in Exhibit E. Truck measure volumes are given, but shall not limit the amount of rock spread. Depth shall be determined in the most compacted area of the surface cross section. The depth of compacted aggregates shall not vary more than 1 inch from the depth specified in the "Road Surfacing" table in Exhibit E. The average depth for each road segment shall be the specified depth or greater. If additional rock is required because of insufficient depth, the locations and volumes to be added shall be determined by STATE. The conversion from compacted yardage to truck yardage is 1.3 multiplied by the compacted yardage equals truck yardage.

Turnouts shall have a surfaced area of at least 44 square yards each at the depths shown in Exhibit E.

Turnarounds shall have a surfaced area of at least 73 square yards each at the depths shown in Exhibit E.

Landings shall have a minimum surfaced area of at least 220 square yards each, at the depths of the associated road segment, shown in Exhibit E.

Curve Surfacing. Extra surface width shall be required for the inside of all curves as follows: 400 divided by the radius of the curve equals the amount of extra width to be surfaced at the depths shown in Exhibit E.

Load Records. Notify STATE before spreading the rock and maintain a record of all rock delivered for spreading. Make the record available for STATE inspection.

EXHIBIT E

COMPACTION AND PROCESSING REQUIREMENTS

Moisture Content: Compaction must take place when moisture content of the materials being compacted is favorable for effective compaction as determined by STATE.

Compaction Pass: A pass is defined as traveling a road section forward and then backward over that same section.

Subgrade. Subgrade surfaces of the road segments listed below shall be graded and compacted prior to rocking. Compaction shall be accomplished by traveling all surfaces from shoulder to shoulder until the surface is smooth and hard and visible deformation ceases or in the case of a sheepsfoot roller, the roller "walks out." At least 3 passes shall be made over the entire width and length of the road. Compaction shall be accomplished by using one or more of the approved equipment options listed below:

Subgrade shall be crowned, outsloped, or insloped at 4 to 6 percent as specified in the "Forest Roads Specifications" table in Exhibit D, or as directed by STATE.

ROAD SEGMENT	COMPACTION EQUIPMENT OPTIONS
C to D (224+60 to 262+40), E to F (96+50 to 105+80), G to H, I to J, K to L	Vibratory Roller

Fills. Embankments and fills shall be placed in (approximately) horizontal layers not more than 8 inches in depth. Each layer shall be separately, and thoroughly, compacted. Compaction equipment shall be operated over the entire width of each layer until visible deformation of the layers ceases or, in the case of a sheepsfoot roller, the roller "walks out." At least 3 passes shall be made over the entire width and length of each layer.

Placing individual rocks or boulders with more depth than the allowed layer thickness shall be permitted, provided the embankment will accommodate them. Such rocks and boulders shall be at least 6 inches below the subgrade. They shall be carefully distributed and the voids filled with finer material, forming a dense and compacted mass. Compaction shall be accomplished by using one or more of the approved equipment options listed below:

ROAD SEGMENT	COMPACTION EQUIPMENT OPTIONS
C to D, E to F, G to H, I to J, K to L	Crawler Tractor, Tampingfoot Compactor

EXHIBIT E

COMPACTION AND PROCESSING REQUIREMENTS

Crushed Rock. The rock shall be uniformly mixed and spread in layers on the approved roadbed. Each layer of crushed rock shall be moistened or dried to uniform moisture content suitable for maximum compaction and compacted in layers not to exceed 6 inches in depth. When more than 1 layer is required, each shall be shaped and compacted before the succeeding layer is placed. Any irregularities or depressions that develop during compaction of the top layer shall be corrected by loosening the material at these places and adding or removing material until the surface is smooth and uniform. Each layer shall be compacted with a minimum of 3 passes over the entire width and length of the road until the surface is smooth and hard and visible deformation ceases. Compaction shall be accomplished by using one or more of the approved equipment options listed below:

Rock shall be compacted and processed during the same project period it is spread, unless otherwise approved in writing by STATE.

Rock shall be crowned, outsloped, or insloped at 4 to 6 percent as specified in the "Forest Roads Specifications" table in Exhibit D, or as directed by STATE.

ROAD SEGMENT	COMPACTION EQUIPMENT OPTIONS
A to B, C to D, E to F (18+70 to 32+40) & (43+70 to 96+50), G to H (0+00 to 1+00), I to J, K to L (0+00 to 27+00) & (7+50 to 17+50), M to N	Vibratory Roller

Existing Surface Rock. The existing rock shall be unearthed to a minimum depth of 4 inches or to 1 inch below the bottom of potholes, whichever is greater. The existing rock shall then be uniformly mixed and moistened or dried to a uniform moisture content suitable for maximum compaction and compacted. Any irregularities or depressions that develop during compaction shall be corrected by loosening the material at these places and adding or removing material until the surface is smooth and uniform. The existing rock shall be compacted with a minimum of 3 passes over the entire width and length of the road. Compaction shall be accomplished by using the approved equipment listed below or others approved by STATE:

Rock shall be crowned, outsloped, or insloped at 4 to 6 percent as specified in the "Forest Roads Specifications" table in Exhibit D, or as directed by STATE.

ROAD SEGMENT	COMPACTION EQUIPMENT OPTIONS
A to B, C to D (0+00 to 222+30), E to F (0+00 to 96+50), M to N	Vibratory Roller
O to P (0+00 to 40+10), Q to R (0+00 to 14+95)	Vibratory Roller, Loaded Dump Trucks

EXHIBIT E

COMPACTION EQUIPMENT OPTIONS

Vibratory Rollers. The drum shall have a smooth surface, a diameter not less than 48 inches, a width not less than 58 inches, and a turning radius of 15 feet or less. Vibration frequency shall be regulated in steps to 1400, 1500, and 1600 VPM, corresponding to engine speeds of 1575, 1690, and 1800 RPM. The centrifugal force developed shall be 7 tons at 1600 VPM. It shall be activated by a power unit of not less than 25 horsepower. The vibratory roller shall be self-propelled and operated at speeds ranging from 0.9 miles to 1.8 miles per hour, as directed by STATE.

Rubber-Tired Skidders. A rubber-tired skidder weighing a minimum of 20,000 pounds shall be operated over the fill layers so that the entire layered surface comes in contact with the tires. Skidders with oversized tires (high flotation) are not acceptable for compaction.

Tampingfoot Compactors. Tampingfoot compactors shall exert a minimum pressure of 250 pounds per square inch on the ground area in contact with the tamping feet. The compactor shall cover a minimum width of 60 inches per pass and weigh a minimum of 16,000 pounds.

Vibratory Hand-Operated or Backhoe-Mounted Tamper. Vibratory hand-held or hydraulic tampers shall be used for compaction of backfill materials around culverts (and/or bridge approach embankment materials around abutments). The tamper shoe dimensions shall be a minimum of 10" X 13" and capable of a centrifugal force of 2,250 pounds.

Vibratory Grid Compactors. The roller shall have a grid surface and have an operating weight of 32,000 pounds or more. The rock shall be worked with a grader weighing at least 20,000 pounds during the grid rolling process. All rock shall come in contact with the vibratory grid compactor.

Grid Rollers. Pit-run rock shall be processed by grid roller fully equipped with 32,000 pounds or more of ballast weights. Twenty passes shall be made with a grid roller over the entire length and width of the road, unless STATE requires fewer passes. A grader weighing at least 20,000 pounds shall work the pit-run surface during grid rolling so that all pit-run rock comes in contact with the grid roller. Grid rolling shall be performed when the subgrade is dry and firm. Road surface shall be uniformly shaped and graded prior to and during grid rolling.

Loaded Dump Trucks. Dump trucks shall be routed over the entire cross section of the road surface. Loaded trucks shall cover all of the subgrade with a minimum of three passes.

Crawler Tractors. D-7 Caterpillar or equivalent.

EXHIBIT F

ROCK QUARRY DEVELOPMENT AND USE

1. PURCHASER shall prepare a written development plan for the quarry area. The plan shall be submitted to STATE for approval prior to conducting any operation in quarry area. The plan shall include, but not be limited to:
  - (a) Location of quarry floor, benches, and roads to benches.
  - (b) Disposal site for woody debris, overburden and reject material.
  - (c) Time lines for rock quarry use.
  - (d) Erosion control measures.
  - (e) Oversize material location.
2. PURCHASER shall schedule and coordinate quarry and stockpile usage with other existing or planned activity requiring quarry or stockpile usage. **PURCHASER shall notify STATE 5 days prior to the start of quarry development activities.**
3. Fall all timber within the posted right-of-way boundary and remove all merchantable timber. All woody debris, including stumps and slash shall be hauled to the designated disposal areas.
4. Where overburden removal limits have not been marked, they shall extend for a distance of at least 20 feet beyond the developed rock source. Overburden removal limits, when marked, are designated by orange right-of-way boundary tags. Overburden shall be hauled to a designated waste area. Overburden shall be spread evenly, grass seeded, and compacted at the waste area and woody debris stacked separately. Areas of overburden removal shall be inspected for completeness and approved by STATE prior to drilling or rock removal.
5. PURCHASER shall conduct the Operations relative to the disposal of waste material in such manner that silt, rock, debris, dirt, or clay shall not be washed, conveyed, or otherwise deposited in any stream. All waste shall be deposited at an approved "waste disposal site."
6. The quarry floor shall be developed to provide drainage away from the quarry. All quarry and stockpile site drainage ditches shall be developed and maintained. Drainage ditches shall not discharge into streams.
7. Benches shall be constructed and maintained at intervals of 40 feet or less in height and shall be a minimum of 20 feet in width. Any gravel or talus slopes shall be left with a working face at an angle of 60 percent or less. There shall be a minimum of one bench with an access road to it. Said bench shall be easily accessible with tractors.
8. The STATE shall be notified two working days prior to the beginning of drilling operations. Working days shall be defined as Monday through Friday, 6:00 a.m. to 2:30 p.m.
9. Controlled blasting techniques shall be utilized for any blasting operations, and shall be accomplished using timing devices, delayed charges, low intensity shots, or other suitable means to contain as much material as possible within the quarry development area (full containment). Each low intensity shot shall be shot into the previous shots' void in order to contain all the material in the quarry development area. Each shot shall also have a "tattle-tale" end cap so that it is known if all charges were detonated. The purchaser shall detonate or remove all non-detonated explosives from STATE LANDS. PURCHASER shall maintain a comprehensive blasting log that contains all pertinent data for all blasting operations. The blasting log shall be submitted to the STATE after the completion of all blasting activity. The blasting log is intended for STATE record keeping purposes only.



EXHIBIT F

ROCK QUARRY DEVELOPMENT AND USE

10. Quarry face shall be developed in a uniform manner. All quarry backslopes shall be left in a stable condition.
11. Oversized material, exceeding the quantity required for riprap in Exhibit E, that is produced or encountered during development shall be broken down and utilized for crushing.
12. The quarry site shall be left in a condition free from overburden and debris. Access roads to the quarry, benches, and the quarry floor shall be cleared of unused shot rock and dirt at the termination of use. Access roads shall be waterbarred to provide drainage as specified in Exhibit I and blocked as directed by STATE. Overburden shall be removed for a distance of 20 feet beyond the developed rock source. Unused shot rock material that is produced shall be piled in the vicinity of the quarry as directed by STATE. Dirt, overburden, and reject material shall be hauled to designated waste area.
13. Proper winterization and storm-water control measures such as waterbarring, drainage, utilization of filter bales, mulching and/or blocking access shall be constructed and maintained to protect the watershed and Project Work, as directed by STATE.
14. Apply seed to the waste area, as specified in Exhibit N.

## EXHIBIT G

### CULVERT SPECIFICATIONS

All culvert materials shall be furnished and installed by PURCHASER, unless otherwise specified in the Contract. Culverts 30 inches in diameter and smaller shall be constructed of corrugated polyethylene. Culverts larger than 30 inches in diameter shall be constructed of corrugated aluminized Type 2 steel. Polyethylene culverts shall be double-walled and meet the requirements of AASHTO M-294-11, Type S, or ASTM F2648. Aluminized Type 2 steel culverts shall meet the requirements of AASHTO M-36-03<sup>1</sup>.

Lengths of individual culvert sections shall be not less than 10 feet, unless otherwise provided for in special instructions. The shortest culvert section length shall be placed at the inlet end.

Culverts 36 inches in diameter or larger shall have 1:1 beveled inlets.

Joining shall be done with bands of like material and corrugations. Manufacturers' instructions shall be followed for prefabricated pipe assembly. Polyethylene joints shall be made with split couplings, corrugated to engage the culvert corrugations, and shall engage a minimum of 4 corrugations, 2 on each side of the culvert joint.

Culverts shall be located as staked in the field, or as directed by STATE.

Cross drain culverts on road grades in excess of 3 percent shall be skewed at least 30 degrees from perpendicular to the road centerline, except that cross drain culverts at the low point of dips in roads shall not be skewed.

Culvert grade shall slope away from ditch grade at least 5 percent unless otherwise specified.

The foundation and trench walls for all culverts shall be free from logs, stumps, limbs, stones, and other objects which would dent or damage the culvert. The culvert trench shall be excavated 3 culvert diameters wide to permit compaction and working on each side of the culvert. Tamping shall be done in 6-inch lifts, 1 culvert diameter each side of the culvert to 95 percent density or over. Bedrock shall be excavated as required to provide a uniform foundation for the full length of the culvert. Minimum bedding depth shall be 6 inches.

A bedding of granulated material or crushed rock as specified shall be placed to provide a wide band of support and to transmit the load from above evenly over the entire length of the culvert.

Backfill shall consist of granulated material, crushed rock, or job-excavated soil free of stumps, limbs, rocks, or other objects which would damage the culvert.

Transporting of the culvert shall be done carefully. Dragging or allowing free fall from trucks or into trenches shall not be permitted.

Minimum height of cover over top of culvert to subgrade shall be as follows: 12" for culverts 18" to 36" in diameter. Minimum vertical cover for other designs shall be as specified by STATE.

EXHIBIT G

CULVERT SPECIFICATIONS

The ends of each culvert shall be free of logs and debris which would restrict the free flow of water. The intake end of relief culverts shall be provided with a sediment catching basin 3 feet in diameter at the bottom. The outlet end of any culvert which would allow water to erode embankment soil shall be provided with an energy dissipator or other approved slope protection device. Construct lead-off ditches away from culvert outlets where the slope gradients restrict the free flow of water.

Tamping is required on all culverts. Backfills on culverts over 30 inches in diameter shall be compacted with a vibratory hand-operated or Backhoe mounted tamper.

The intake end of culverts shall be marked by installing a 5 foot long, rust-resistant painted steel fence post two feet into the ground, within 6 inches of the inlet on the downgrade side.

All culverts scheduled for replacement shall become property of the PURCHASER be removed from STATE land in the same project period in which replacement occurred.

A manufacturer's certification that the product was manufactured, tested, and supplied in accordance with this specification shall be furnished to STATE upon request.

Following are the minimum standard gauges for steel culvert and coupling bands.

<u>Dia.</u>	<u>Steel Culvert</u>	<u>Thickness</u>		<u>Band Gauges</u>	<u>Band Widths (")</u>	
	<u>Gauge</u>	<u>Uncoated</u>	<u>Coated</u>		<u>Annular</u>	<u>Helical</u>
36	16	(0.0598")	(0.064")	16	12	12

EXHIBIT G  
 CULVERT LIST

CULVERT NO.	ROAD SEGMENT	STATION	DIAMETER (Inches)	LENGTH (Feet)	COMPOSITION
1	A to B	53+00	18	30	CPP
2	A to B	62+60	18	35	CPP
3	A to B	78+30	18	35	CPP
4	A to B	81+90	18	40	CPP
5	A to B	90+50	18	35	CPP
6	A to B	119+30	18	35	CPP
7	C to D	3+00	18	35	CPP
8	C to D	31+40	18	40	CPP
9	C to D	91+60	18	30	CPP
10	C to D	136+30	24	30	CPP
11	C to D	242+00	18	40	CPP
12	C to D	248+40	18	35	CPP
13	C to D	250+20	30	40	CPP
14	C to D	252+50	30	40	CPP
15	C to D	256+40	18	30	CPP
16	C to D	258+30	24	35	CPP
17	K to L	23+60	24	30	CPP
18	K to L	27+00	18	30	CPP
19	K to L	29+00	18	35	CPP
20	K to L	33+60	18	30	CPP
21	K to L	35+50	18	35	CPP
22	K to L	39+30	24	40	CPP
23	M to N	92+50	36	40	ACSP

ACSP = Aluminized Steel, CPP = Polyethylene

TOTAL LENGTHS BY DIAMETER			
18 INCH	24 INCH	30 INCH	36 INCH
550 Feet	135 Feet	80 Feet	40 Feet

EXHIBIT H

TYPICAL EMBEDDED ENERGY DISSIPATOR

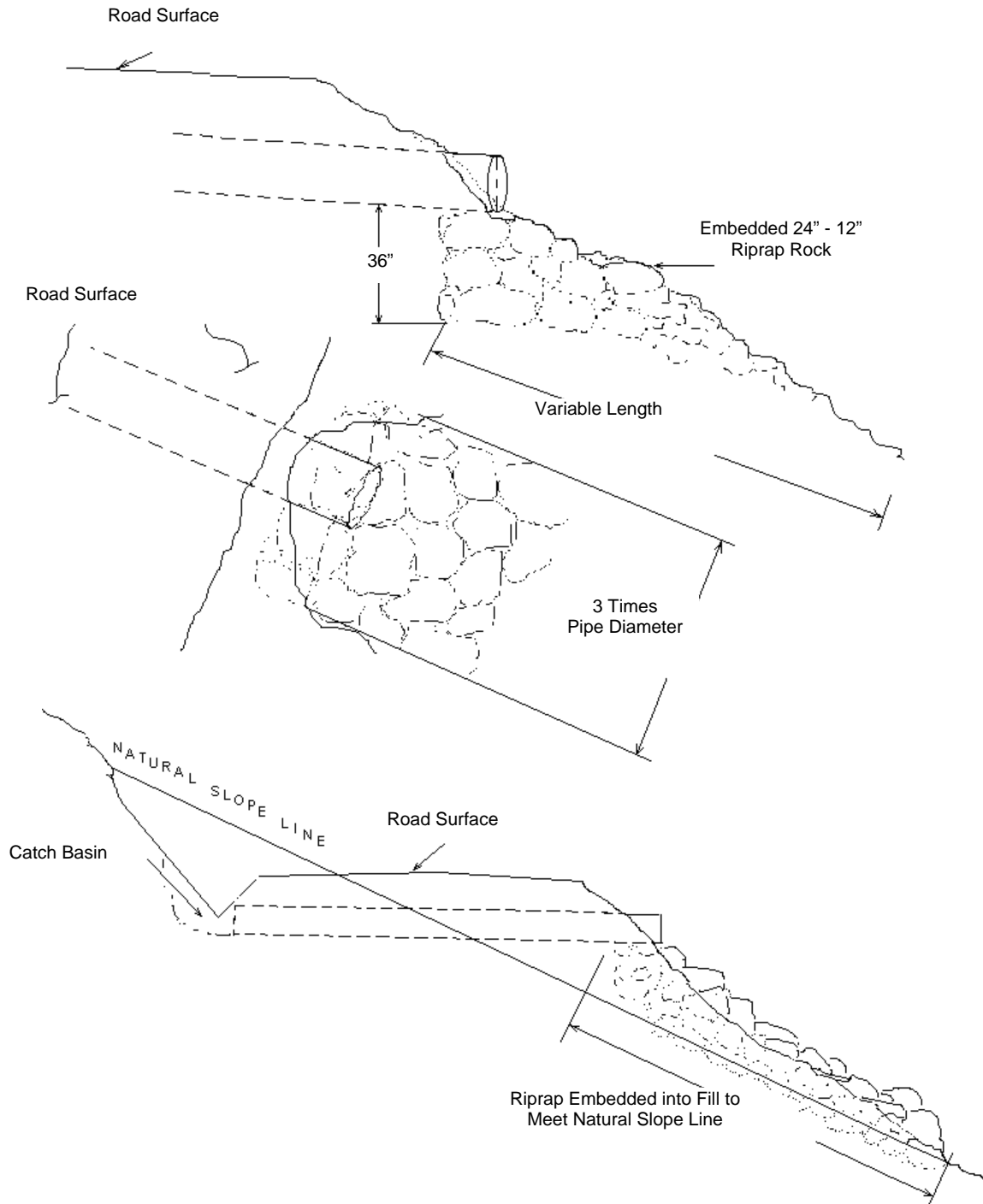
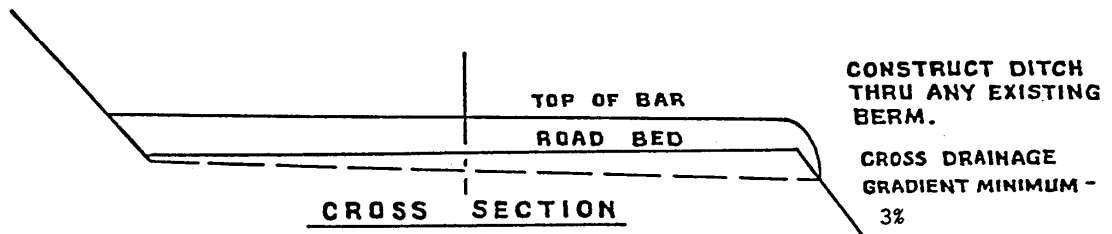
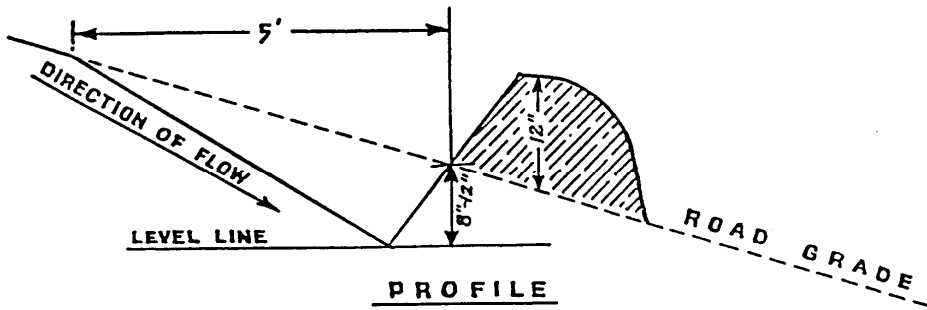
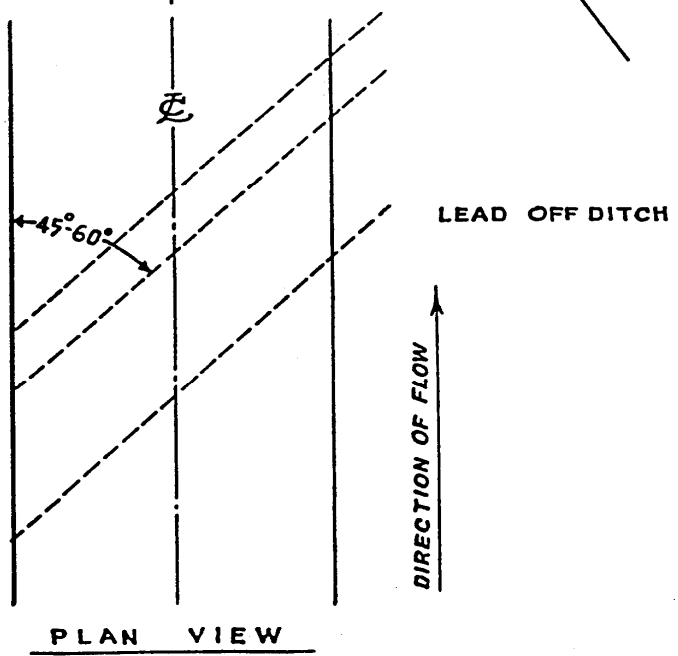


EXHIBIT I  
 WATERBAR SPECIFICATIONS



**SPACING OF WATERBARS**

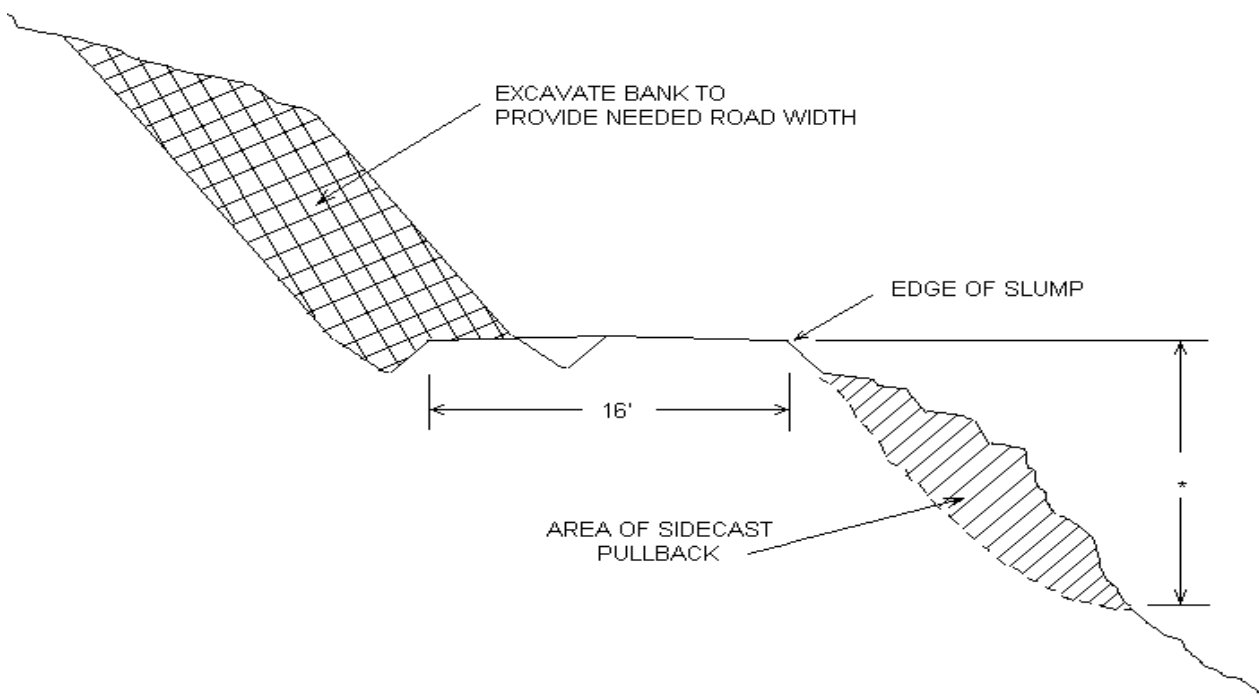
ROAD GRADE	DISTANCE
≤ 5%	600'
6-10%	300'
11-15%	150'
16-20% or greater	100'



**WATERBAR SPECIFICATIONS  
 FOR CROSS DITCHING #298**

EXHIBIT J

TYPICAL CROSS SECTION VIEW OF SIDECAST PULLBACK AND ROAD REALIGNMENT



(No Scale)

\* As marked in field

EXHIBIT K

ROAD VACATING SPECIFICATIONS

PURCHASER shall vacate the following road segments: O to P (40+10 to 58+70) and Q to R (14+95 to 23+50). Specific objectives for this project include:

- (1) Tree Removal. Cut or remove only the trees necessary to access the project area and to facilitate vacating operations, as directed by STATE. Timber shall NOT be removed as Designated Timber, unless located within posted timber sale boundaries or right-of-way boundaries.
- (2) Fill Removal and Stream Channel Development. Remove fills to the natural stream course levels. Stream channels shall be excavated/developed to natural widths and original orientation. Developed stream banks shall be sloped at natural contours or no steeper than 1½:1, as directed by STATE.
- (3) Culvert Removal. Divert all live water prior to removing drainage structures. Removed culverts shall become property of Contractor and be hauled to an approved refuse site off of STATE land, in the same project period in which work occurred.
- (4) Use of Excavated Materials.
  - (A) Fill Excavation. Excavated material, suitable for later re-use as fill, shall be used to block road from vehicle use, and placed along inside edge of existing road, at least 10 feet back from edge of channel. Non-suitable fill material shall be hauled to the designated waste area, spread, and compacted, as directed by STATE.
  - (B) Woody Debris may be placed in a stable location, parallel to the slope, or hauled to the waste area and piled separately.
- (5) Block Roads. In addition to excavated material, haul riprap from rock quarry near Point O to block roads from vehicle access, as specified in Exhibit E, and as directed by STATE.
- (6) Erosion Control. Erosion control shall be completed in a progressive manner. Grass seed and straw mulch shall be applied for every 500 feet of road vacated, prior to continuing work.

Apply seed and straw mulch to excavated material and bare soils, in accordance with the specifications in Exhibits N and O. Applied mulch shall be a reasonably uniform thickness of ¾ to 1 ¼ inches and provide a uniform cover.
- (7) Construct Waterbars. Construct waterbars according to the specifications in Exhibit I.
- (8) Dry Conditions. All work shall be performed during dry conditions acceptable to STATE.



State Timber Sale Contract  
No. 341-15-83  
Bling Ridge

## EXHIBIT L

### SPECIFICATIONS FOR LANDING SLASH PILING

Piling Slash / Covering Piles: All piles shall be as compact as possible. Piles shall be built to a height of 3 to 4 feet and then covered to prevent water from reaching the Slash. Each pile shall be covered with 100 square feet of polyethylene plastic sheeting. The plastic sheeting shall be clear Polyethylene Plastic 4 mil gauge. PURCHASER shall supply the materials used for covering the Slash. Additional woody debris shall be piled on top of the covered piles to complete the piling, as directed by STATE.

Placement of Piles: Piles shall be placed in a location to minimize damage from burning to standing green trees and Snags. Piles shall be placed as follows:

- (a) No less than 30 feet from any Snags or green trees, unless otherwise approved by STATE.
- (b) Cull log segments suitable for firewood shall be piled separately from Slash at a distance of no closer than 20 feet from the Slash piles.

State Timber Sale Contract  
No. 341-15-83  
Bling Ridge

EXHIBIT M

SPECIFICATIONS FOR SKID ROAD CLOSURE

All skid/forwarder roads shall be closed by PURCHASER prior to the timber sale completion.

Skid roads shall be closed by constructing a barrier which makes the road impassable to vehicular traffic. Where skid roads meet permanent forest roads, PURCHASER shall block access to vehicular traffic by placing several root wads across the road.

All berms or holes caused by logging Operations shall be flattened out to as close to the natural slope as possible.

Scatter locally available woody material (logs, stumps, brush, Slash, etc.) on the closed running surface.

Waterbar the subgrade and running surface at a spacing of no more than 100 feet and as specified in Exhibit I, "Waterbar Specifications."

Apply forage seed to the roadbed as specified in Exhibit N, "Seeding and Fertilizing."

EXHIBIT N  
SEEDING AND FERTILIZING

This work shall consist of preparing seedbeds and furnishing and placing required seed and fertilizer.

Seeding Seasons. Seeding shall be performed only from March 1 through June 15 and August 15 through October 15. Seeding materials shall not be applied during windy weather or when the ground is excessively wet or frozen. Areas of disturbed soil shall be seeded by the end of the project period in which work was started.

Soil Preparation. Areas to be seeded that have been damaged by erosion or other causes shall be restored prior to seeding. All areas to be seeded shall be finished and then cultivated to provide a reasonably firm, but friable seedbed. A minimum of 1/2 inch of surface soil shall be in a loose condition.

Application Methods for Seed and Fertilizer

Dry Method. Mechanical seeders, seed drills, landscape seeders, cultipacker seeders, fertilizer spreaders or other approved mechanical seeding equipment shall be used to apply the seed and fertilizer in the amounts and mixtures specified. Hand-operated seeding devices may be used when seed and fertilizer are applied in dry form.

Application Rates for Seed and Fertilizer

Seed listed below shall be applied at the following rates per acre:

SPECIES	Lb./Acre	MIXTURE	PURE LIVE SEED	Repellent
Fine Fescue	12	40%	98%	0
Annual Ryegrass	6	20%	98%	0
Perennial Ryegrass	9	30%	98%	0
White Dutch Clover	3	10%	98%	0

Fertilizer: Chemical analysis shall be 16-20-0 and shall be applied at the rate of 200 pounds per acre. Fertilizer shall not be applied within 100 feet of streams.

Seeding will be considered acceptable when all other specified requirements in Exhibits N and O have been completed and a healthy, uniform, close stand of grass has been established, unless otherwise approved in writing by STATE.

State Timber Sale Contract  
No. 341-15-83  
Bling Ridge

EXHIBIT O  
MULCHING

This work shall consist of furnishing and placing required mulch. Mulch shall consist of straw that is free of noxious weeds.

Mulching Period. Straw mulch shall be applied within 24 hours of spreading grass seed and fertilizer.

Application Rates for Mulch

Place straw mulch to a reasonably uniform thickness of  $\frac{3}{4}$  to  $1\frac{1}{4}$  inches. This rate requires between 1 and  $1\frac{1}{2}$  tons of dry mulch per acre.

State Timber Sale Contract  
No. 341-15-83  
Bling Ridge

## EXHIBIT P

### PAVED BRIDGE APPROACH SPECIFICATIONS

PURCHASER shall regrade or remove a portion of the surface rock from station 0+00 to 1+00 of segment A to B, add and process a 3-inch lift of  $\frac{3}{4}$ "-0" rock, and lay a 6-inch lift of asphalt pavement, beginning at the northwest end of the Wilson River bridge, in accordance with the Oregon Department of Transportation (ODOT) specifications and requirements, as directed by STATE.

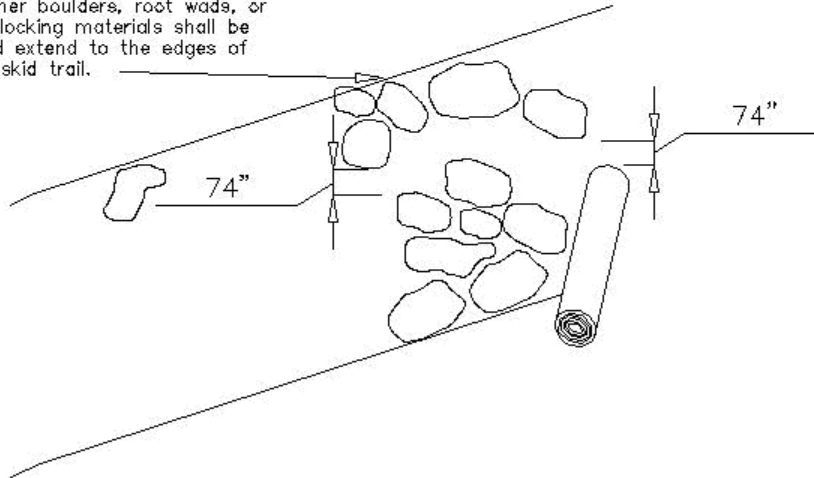
#### PROJECT REQUIREMENTS AND GENERAL SPECIFICATIONS:

- (1) Regrade existing bridge approach to provide for a minimum 2% slope away from bridge, and to accommodate a 3-inch lift of  $\frac{3}{4}$ "-0" crushed rock and a 6-inch lift of asphalt. The pavement shall be a minimum of 24 feet wide.
- (2) Compact base material and spread and compact  $\frac{3}{4}$ "-0" rock in accordance with specifications in Exhibit E.
- (3) All materials and workmanship shall be in accordance with 1996 Oregon Standard Specifications for Highway Specifications.
- (4) PURCHASER shall notify STATE 48 hours before beginning work and again after completing work.
- (5) PURCHASER shall provide onsite testing of asphalt material during placement of asphalt.
- (6) This work is located within the Oregon Utility Notification Center (OUNC) area. The OUNC is a Utilities notification system to notify owners of utilities about excavation work performed in the vicinity of their facilities. The utilities notification system telephone number is 1-800-332-2344.
- (7) The work area during operations shall be protected in accordance with the current Manual on Uniform Traffic Control Devices for Streets and Highways, US Department of Transportation, and the Oregon Department of Transportation supplements.
- (8) Station 0+00 to 1+00: The approach shall be paved with a 6" lift of Level 3,  $\frac{1}{2}$  Dense HMAC asphalt pavement. Minimum pavement depth is 6 inches.

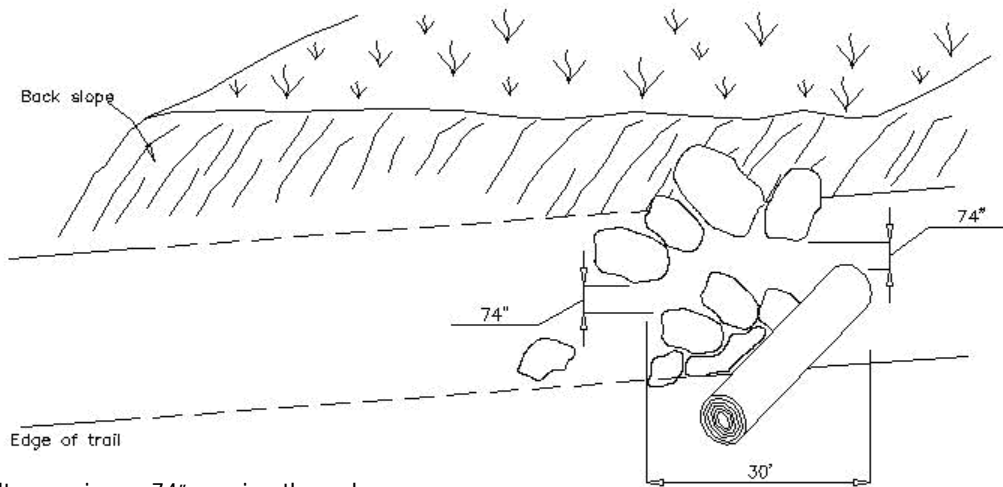
# OHV TRAIL FILTER FOR 4WD TRAIL

NOT TO SCALE

Blocking materials minimum size should be 3'x3', either boulders, root wads, or cull logs. Blocking materials shall be touching and extend to the edges of roadway, or skid trail.



## PLAN VIEW



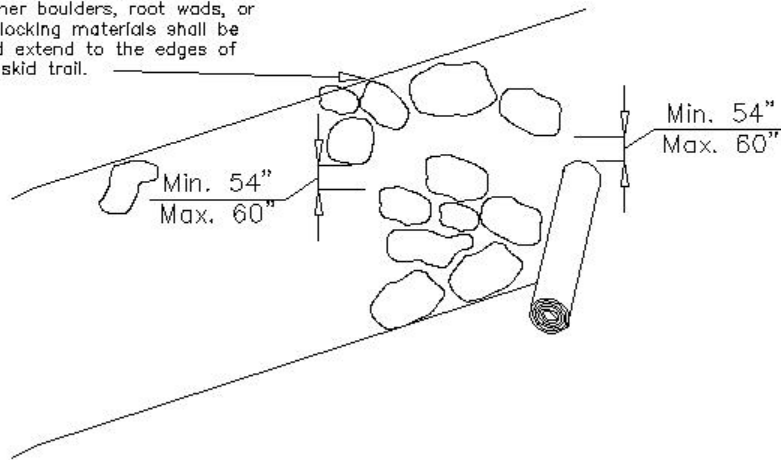
Filter maximum 74" spacing through path entrance and exit.  
6'- 8' curve radius through filter.  
Overall length of filter should be 30'.  
Boulders used as blocking material should be buried 1/3 of original height.

## PROFILE

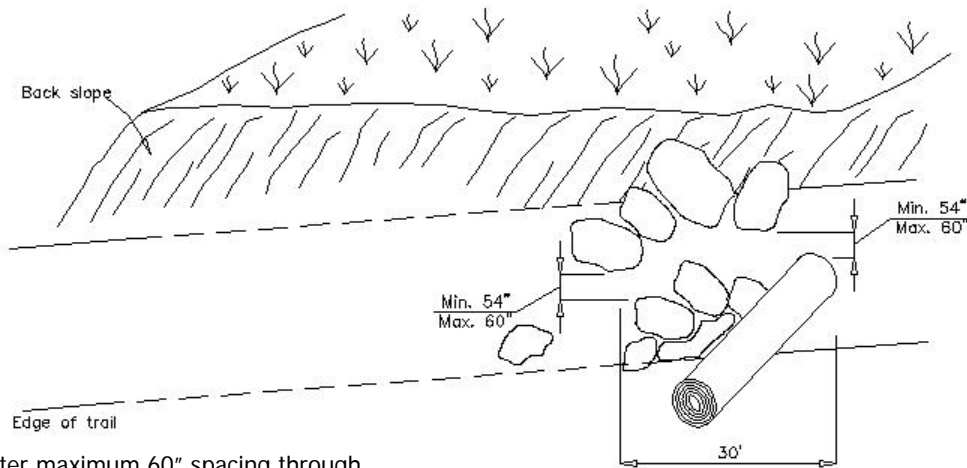
# OHV TRAIL FILTER FOR QUAD TRAIL

NOT TO SCALE

Blocking materials minimum size should be 3'x3', either boulders, root wads, or cull logs. Blocking materials shall be touching and extend to the edges of roadway, or skid trail.



## PLAN VIEW



Filter maximum 60" spacing through path entrance and exit.  
6'- 8' curve radius through filter.  
Overall length of filter should be 30'.  
Boulders used as blocking material should be buried 1/3 of original height.

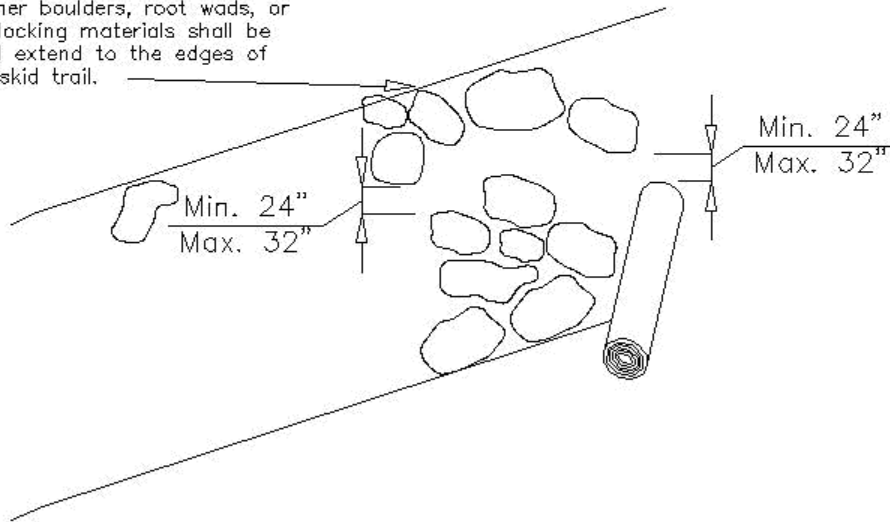
## PROFILE

8/2005

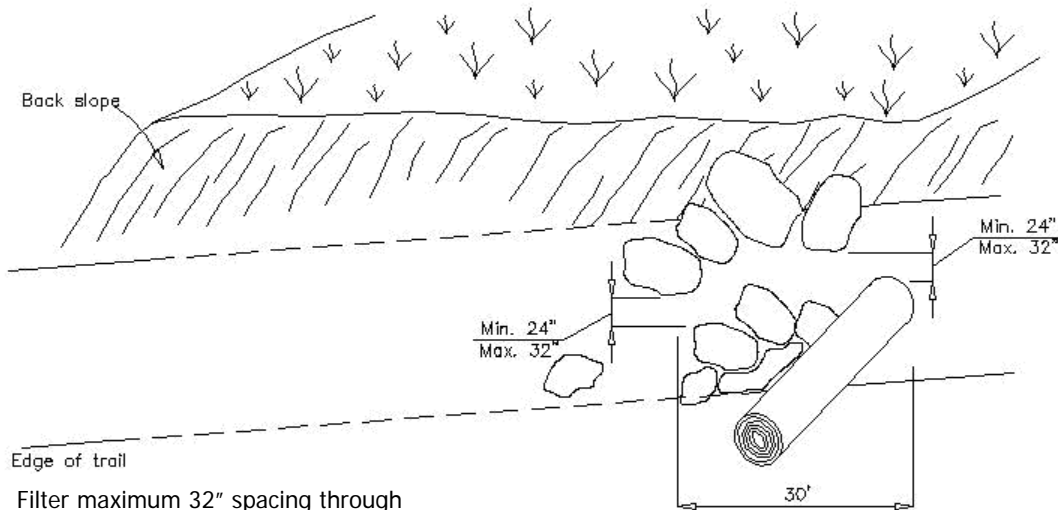
# OHV TRAIL FILTER FOR MC TRAIL

NOT TO SCALE

Blocking materials minimum size should be 3'x3', either boulders, root wads, or cull logs. Blocking materials shall be touching and extend to the edges of roadway, or skid trail.



## PLAN VIEW



Filter maximum 32" spacing through path entrance and exit. 6'-8' curve radius through filter. Overall length of filter should be 30'. Boulders used as blocking material should be buried 1/3 of original height.

## PROFILE



EXHIBIT T

ROCK QUARRY TEST DRILLING REQUIREMENTS

- 1) PURCHASER shall notify STATE a minimum of 48 hours prior to beginning any operations. A STATE Representative shall be present during test drilling to monitor results, issue instructions, determine test hole locations and depths. The representative also shall certify hours of operation or acceptance of work when required under contract.
- 2) Work scheduling shall provide for continual operation until contract work is completed, unless interrupted by poor weather, fire closures, or other uncontrollable circumstances, equipment breakdowns shall be repaired without undue delay, and provision shall be made for replacement of equipment to prevent prolonged delays. Testing operations shall not be allowed from October 1 to April 30, or during any other period when operations might damage sites or affect stream flows. Any exception to these instructions must be authorized in writing by STATE.
- 3) The hydraulic rock drill shall be a crawler-type in the 40,000 pound class or greater, with a minimum penetration rate of 120 feet per hour while drilling a 4"-6" bore hole, in overburden, fractured rock and solid rock.
- 4) The operator must be experienced in operating hydraulic rock drills on rock test drilling operations, be able to operate the drill proficiently, and operate in the area as directed by STATE.
- 5) Support including transport, other equipment, replacements, supplies, maintenance, and repairs shall be furnished as required to complete work; and shall be furnished without cost to STATE.
- 6) Test holes shall be drilled to determine mass attitudes of rock strata, rates of drill advancement, depths of overburden and other pertinent information.
- 7) Each test hole shall be staked and assigned an individual number. Test holes shall be drilled for a maximum distance of 60 feet in vertical, horizontal and/or other directions, as directed by STATE.
- 8) STATE may elect to change the test drilling locations at the quarry sites. However, no more than a total of 20 hours of hydraulic rock drill time will be utilized. Should STATE determine that not all hours are needed, PURCHASER shall pay to STATE \$225 per hour for each hour not used.
- 9) Access road construction may be required. Access roads shall be constructed by the PURCHASER using small excavator. All routes and location of access roads shall be flagged and approved by STATE prior to construction. No more than a total of 4 hours of small excavator time will be utilized. Should STATE determine that not all hours are needed, PURCHASER will be directed to complete related quarry projects.
- 10) Upon completion of test drilling at each site, waterbar all excavator and test equipment access roads and reestablish drainage ditches, as directed by STATE.

## PART IV: OTHER INFORMATION



"STEWARDSHIP IN FORESTRY"

### WRITTEN PLAN

**SALE NAME:** Bling Ridge, 341-15-83

**PROTECTED WATERS:** North Fork Cedar Creek, a large Type F Stream, and a small un-named Type F tributary to it; Sorensen Creek, a medium Type F Stream; Deer Fence Creek, a medium Type F Stream and three small un-named Type F tributaries to it; North Fork Wilson River, a large Type F Stream, a medium un-named Type F tributary to the North Fork Wilson River and two small un-named Type F tributaries to it.

**Definitions:** Stream buffer: at least 100 feet horizontal distance from the high water mark on each side of the stream.

**LOCATION:** Portions of Section 1, T1N, R8W, and Section 36, T2N, R8W and Sections 31 and 33, T2N, R7W and Section 6, T1N, R7W, W.M., Tillamook County, Oregon.

**Activity:** Cable lines across stream

#### Protection measures:

- All trees in the RMA are reserved from cutting.
- Cable yarding lines will be pulled out of the RMA prior to rigging the next yarding road.
- If trees or logs fall or slide into a stream channel they will not be limbed, bucked, or removed without prior approval from ODF.
- Cable lines will be an average of at least 150 feet apart where they extend over or through the Type F stream and buffer.

**Date:** December 9, 2014

**Prepared by:** David Wells

State Timber Sale Contract  
No. 341-15-83  
Bling Ridge

## WRITTEN PLAN

**PROTECTED WATERS:** North Fork Wilson River and Cedar Creek, large Type F tributaries of the Wilson River, and the Wilson River.

**LOCATION:** Portions of Sections 4, 8, and 9, T1N, R7W, and a portion of Section 33, T2N, R7W, W.M., Tillamook County, Oregon.

**Activity:** Cross drain and small stream culvert replacement, and 100-foot Section of paving, within 100 feet of Type F streams.

**Protection measures:**

- Work will be performed only during dry weather conditions.
- Any waste material will be hauled to designated waste area away from streams, spread and compacted.
- Newly exposed soil will be seeded and mulched.

**Date:** November 17, 2014

**Prepared by:** Troy Ramsell

**NOTICE OF TRANSFER OF STATE TIMBER**

**Instructions**

**629:-Form-301-010**

Complete Section 1. Mark the box which applies to you/your company in Section 2. Complete Section 3 and obtain signatures.

**SECTION 1**

On \_\_\_\_\_, state timber sale purchaser (Transferor)  
\_\_\_\_\_, sold, exchanged or otherwise transferred to  
\_\_\_\_\_, (Transferee) state timber originating from State  
Timber Sale Contract No. \_\_\_\_\_.

Transferee hereby certifies that they:

- (a) Will not export the unprocessed state timber which is the subject of this transaction;
- (b) Will not sell, transfer, exchange or otherwise convey the unprocessed timber which is the subject of this transaction to any other person without first obtaining a like certification from that person; and
- (c) Are not prohibited by OAR's 629-31-005 through 045 from purchasing state timber or logs directly from the State Forester, or this is a sale of Western Red Cedar for domestic processing.

**SECTION 2**

- Have not exported unprocessed timber originating from private lands in Oregon in the last 24 months.
- This is a sale of hardwood logs for domestic processing.
- This is a sale of Western Red Cedar for domestic processing.
- This is a sale of pulp logs or cull logs processed at domestic pulp mills, domestic chip plants or other domestic operations for the purpose of conversion of the logs into chips.

**SECTION 3**

The parties understand that falsely entering into this certification, or failure to comply with the terms of this certification is a violation of the Forest Conservation and Shortage Relief Act of 1990 and OAR Chapter 629, Division 31, and is subject to any and all penalties contained therein.

Transferor:

Transferee:

\_\_\_\_\_  
Signed

\_\_\_\_\_  
Signed

\_\_\_\_\_  
Title

\_\_\_\_\_  
Title

\_\_\_\_\_  
Dated

\_\_\_\_\_  
Dated

[Note: For the purpose of this form, the definition of unprocessed timber is the same as in OAR 629-31-005]

Mail To: State Forester  
2600 State Street  
Salem, OR 97310